

Defensive Barriers

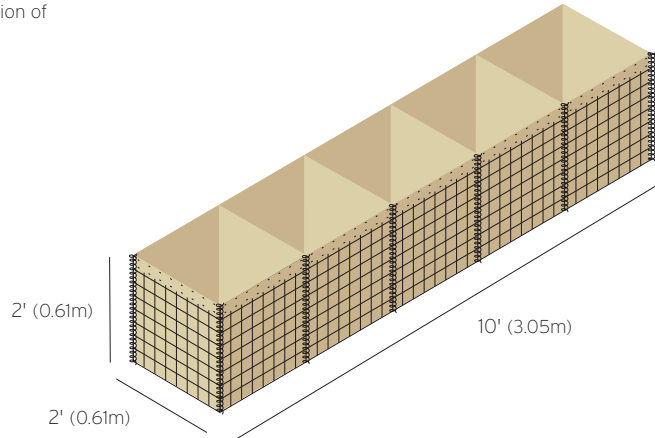
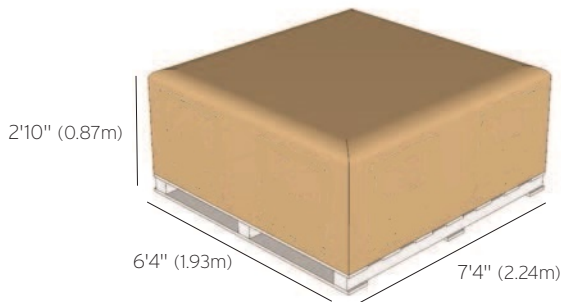
Technical Specification Sheet

PROM5 UNIT

Unit	Height	Width	Length
MIL5 2424 (Beige)	2' 0.61m	2' 0.61m	10' 3.05m
MIL5 2424 (Green)	2' 0.61m	2' 0.61m	10' 3.05m



A geotextile-lined unit for general use as an earth-filled barrier. The units are suitable for filling with earth, sand, gravel, crushed rock and other granular materials. The unit fulfills a wide range of uses, including the construction of protective walls and barriers.



Flat-packed individual unit dimensions & weights

Height	Width	Length	Weight
5" 0.13m	2'7" 0.79m	2' 0.61m	48lb 22kg

Pallet information

Units per pallet	Height	Width	Length	Weight
50	2'10" 0.87m	6'4" 1.93m	7'4" 2.24m	2601lb 1180kg

Transport information

Transport Type	Pallets	Units	Deployed Length
13.5m Trailer	18	900	9006' 2745m
20' Container	6	300	3000' 915m
40' Container	12	600	6003' 1830m